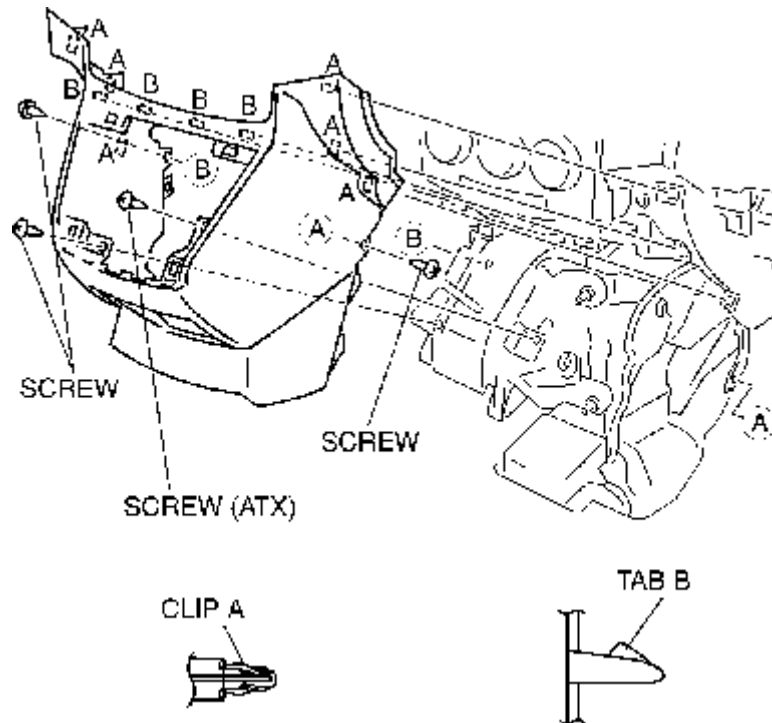
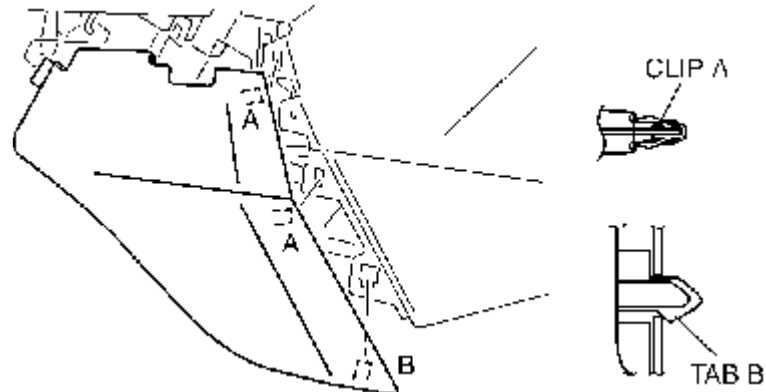
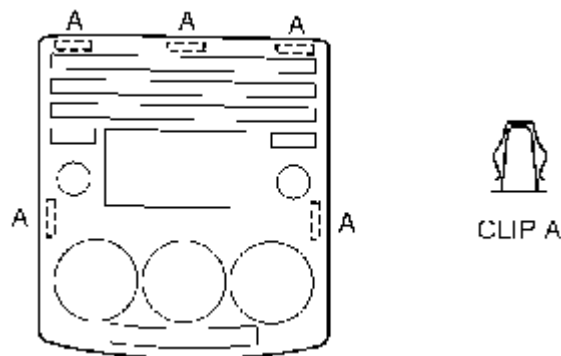
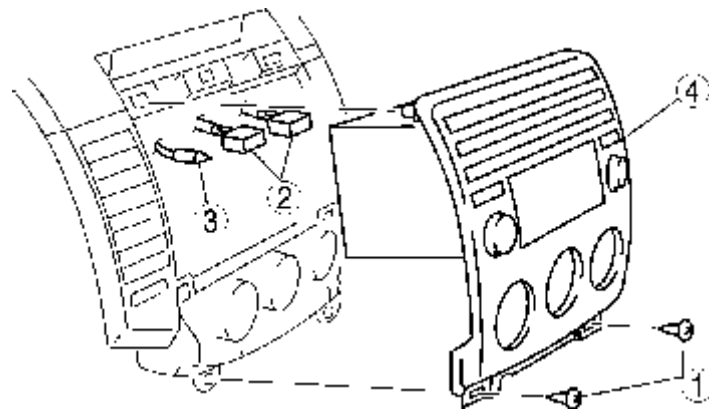
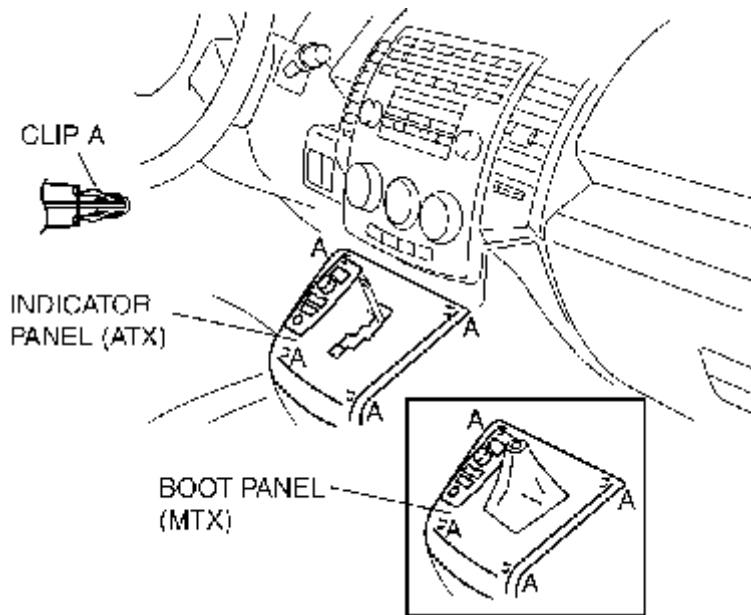


Mazda 5 2006 – 2007 Radio Removal

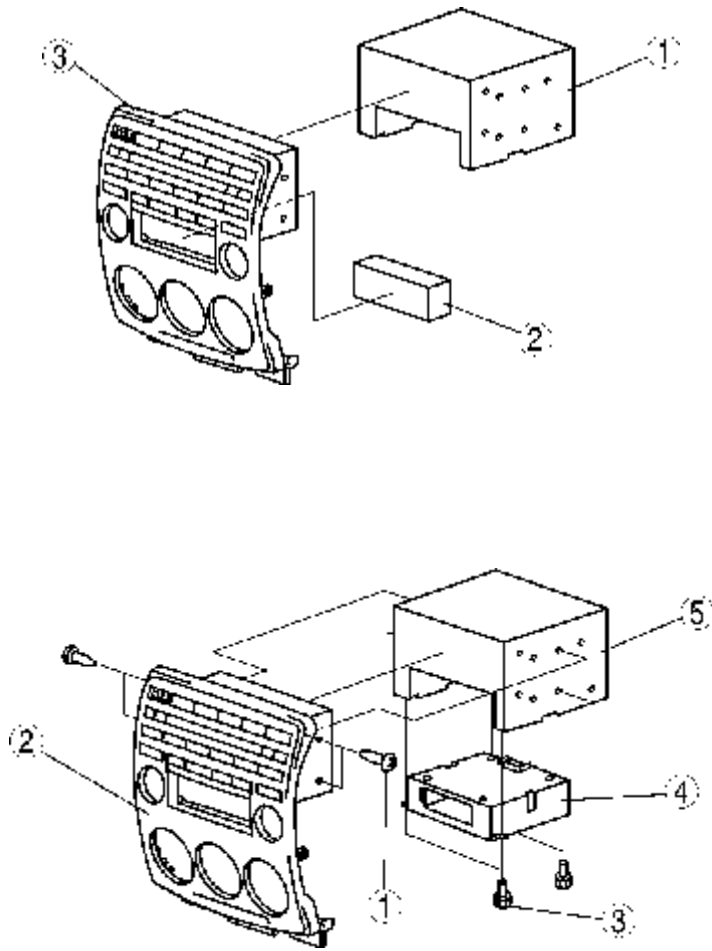
1. Pull the sidewall off
2. Unscrew the shifter knob
3. Pull the shift knob cover



WWW.CARLINKDIRECT.COM



WWW.CARLINKDIRECT.COM



WWW.CARLINKDIRECT.COM